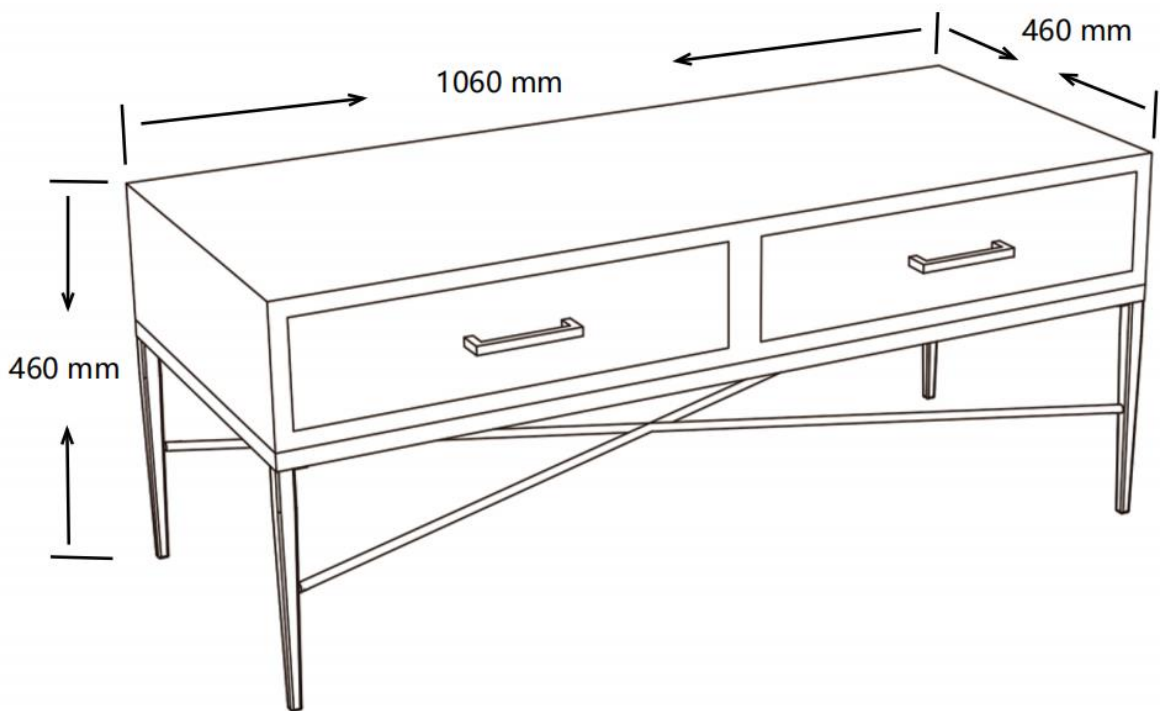


# ASSEMBLY INSTRUCTION

MAYNARD

COFFEE TABLE

ITEM CODE 716680001


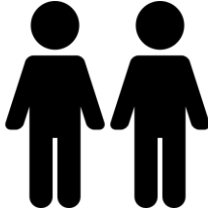



Imported by JWA Furniture Pty Ltd, Qld, Brisbane Australia.  
For any assistance with assembly or for missing parts please refer to your receipt






## PRE-ASSEMBLY PREPARATION

### Before you start:

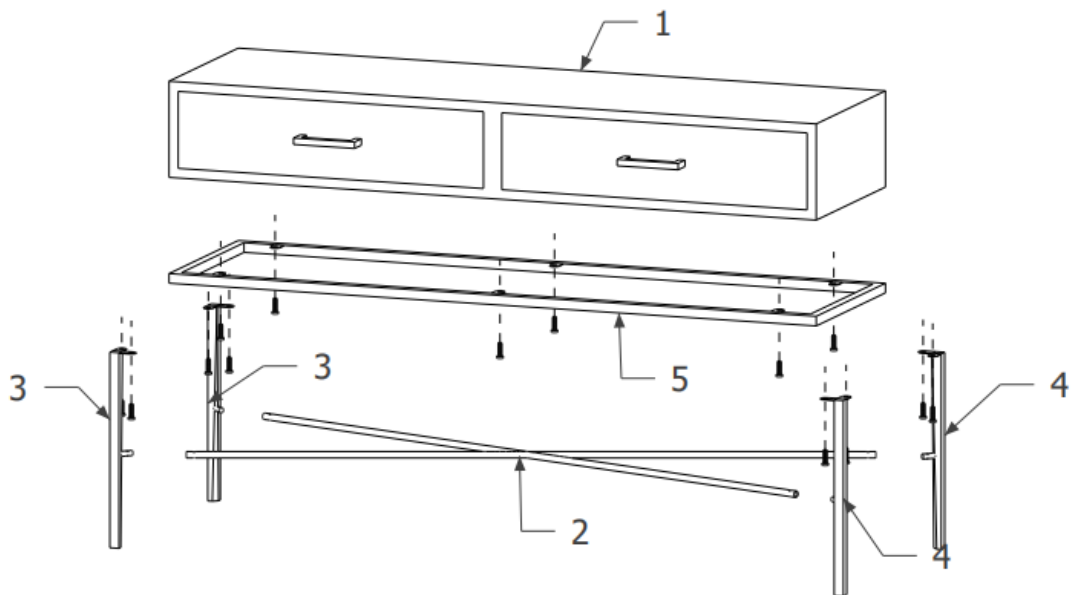
1. Choose a clean, level, spacious assembly area. Avoid hard surfaces that may damage the product
2. Take care when lifting. Product should be assembled as near as possible to the point of use
3. Ensure that you have all required contents for complete assembly
4. Always read the assembly instructions carefully before beginning assembly.
5. Keep all hardware parts and packaging out of reach of small children.
6. Do not over tighten the screws and bolts as this may damage the threads
7. Assembly is to be carried out by a competent adult(s) ONLY
8. During assembly, children should be kept away from the product due to possible risk to injury.
9. Do not use this item if any components are missing or damaged.
10. Please keep the instructions for future reference.

		
Allow 15 min	For 1 person	Additional tool required

# PARTS LIST

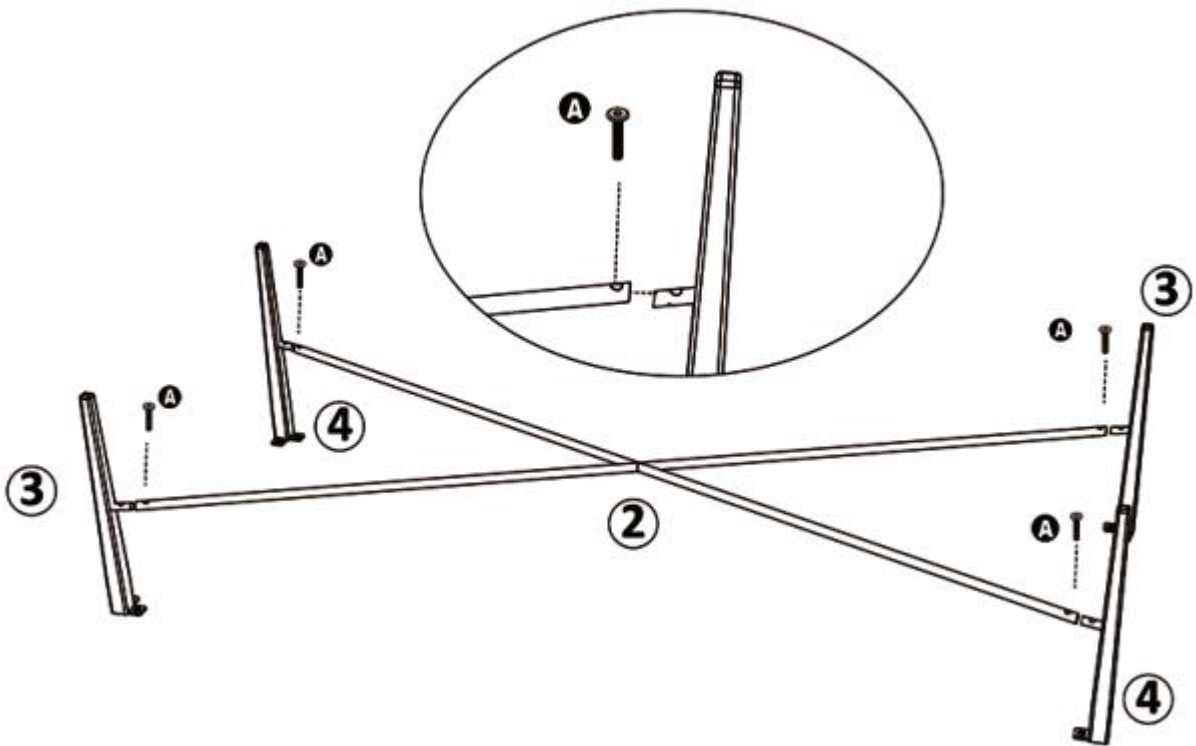
	A	M6X10MM	BOLT	12 PCS
	B		HEX KEY	1 PC
	C	M6X20MM	LONG BOLT AND WASHER	6 SETS
	D		HANDLE SCREW	4 PCS
	E		KNOB	2 PCS

1	Table Top x1
2	X Cross Bar x1
3	Leg A x2
4	Leg B x2
5	Frame x1



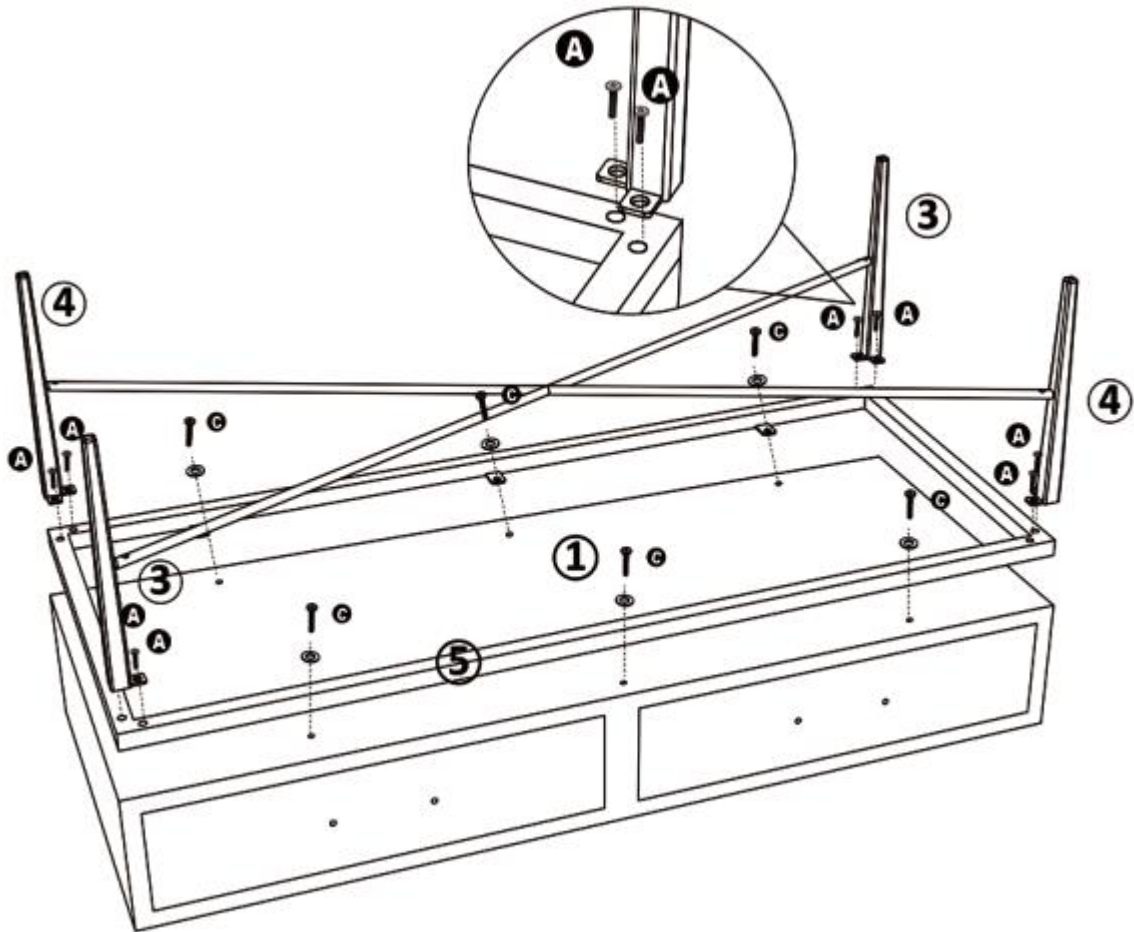
## STEP 1:

- Prepare a surface with a protective blanket or cardboard.
- Connect leg A(3) and leg B(4) together with X cross bar (2) as shown below.
- Secure with bolt(A) per connection. Fasten with allen key(B).
- Fasten only until the bolt is tight in the thread, do not fully fasten for now.



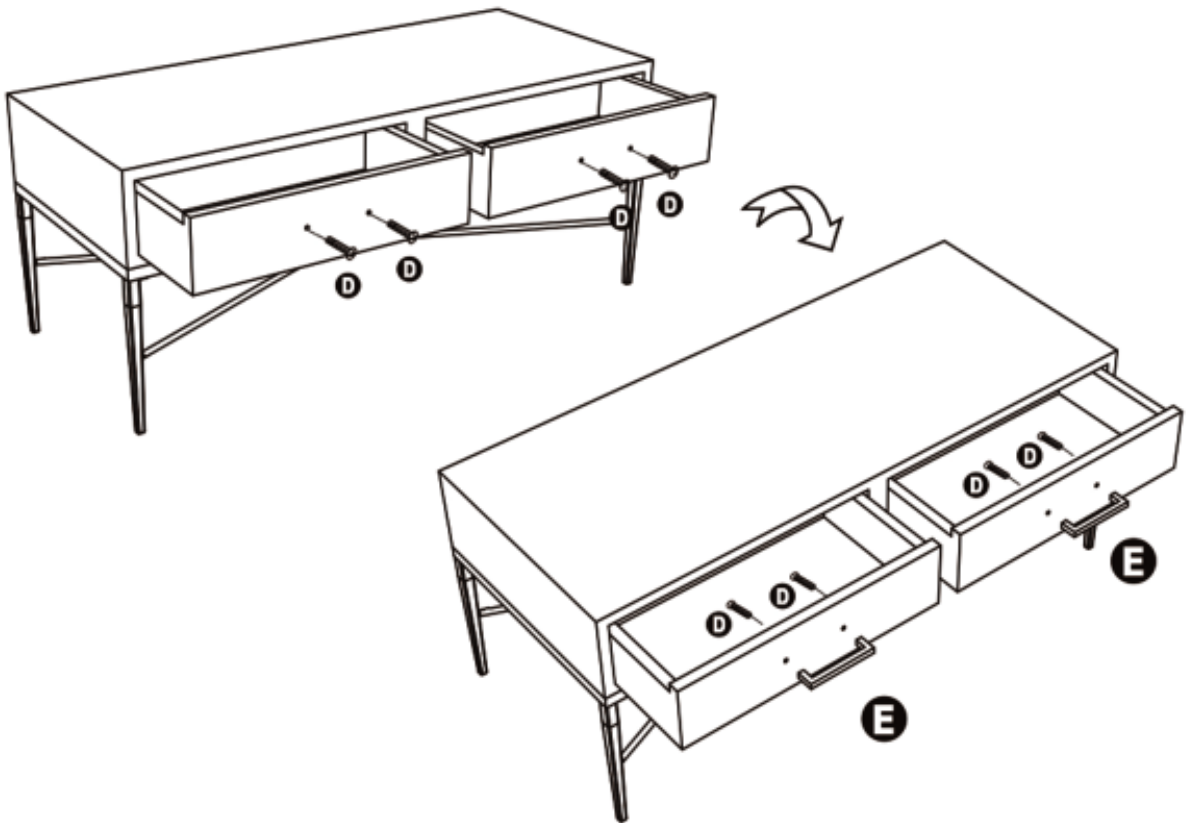
## STEP 2:

- Place the table top(1) flat on the surface and connect to frame(5) using long bolt with washer(C) per connection as shown below.
- Connect leg A(3) and leg B(4) to frame(5)
- Secure with bolt(A) per connection. Fasten with allen key(B).
- Once levelled turn the table back on its side and fasten all the bolts.

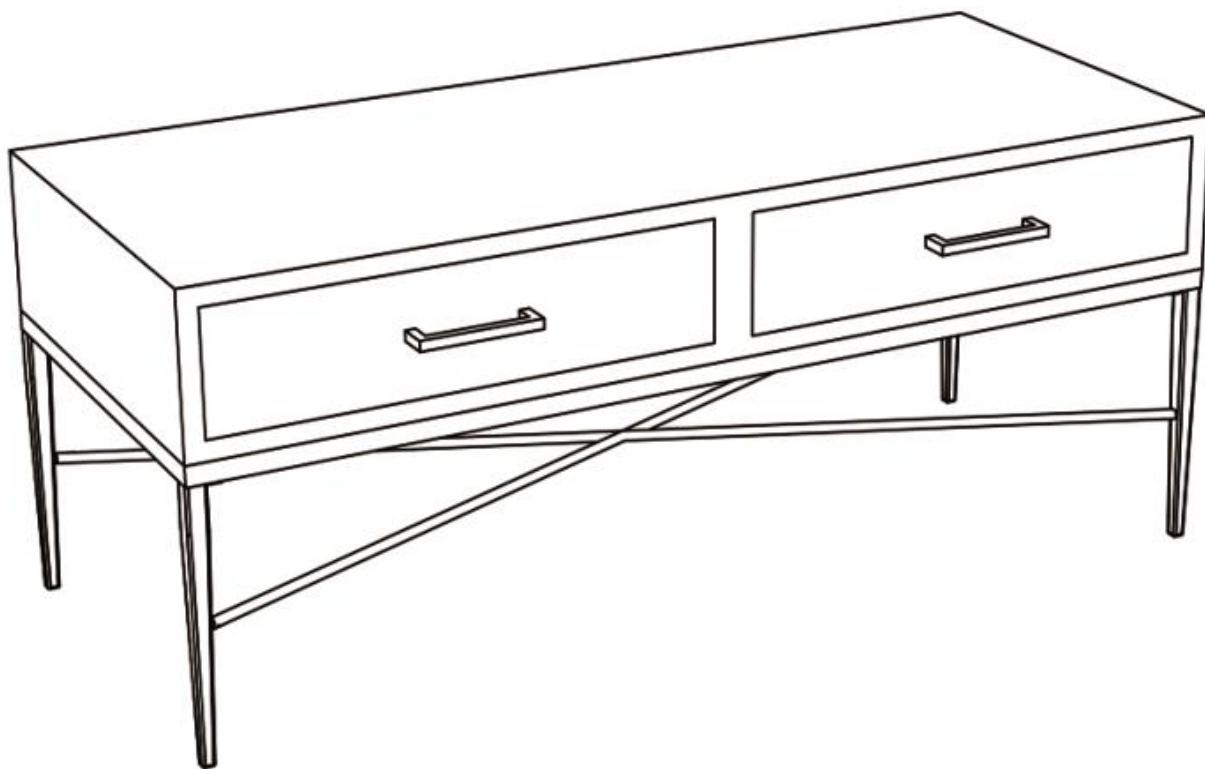


### STEP 3:

- Remove the knob(E) from inside of drawer to outside.
- Connect knob(E) to drawer using handle screw(D) as shown below.



**ASSEMBLY IS COMPLETE**



When necessary brush or vacuum away dust and grit. Wipe over with a soft, clean, colourfast cloth

#### **FOR SPOTS AND SPILLS:**

- Wipe excess liquid up immediately with an absorbent cloth or sponge

#### **FOR OVERALL CLEANING:**

- We recommend cleaning every 3-4 months with leather cleaner followed by applications of leather protector
- Always follow directions on packs

#### **NOTES:**

- Accumulation of perspiration and body oils on arm pads, headrests, etc. may damage your leather. These areas may require more frequent cleaning
- Leather is not recommended for users on frequent medication. Particularly heart, blood pressure, diabetes or chemotherapy medication. This medication can seep through the skin and when combined with perspiration, attacks the protective polyurethane coating of the leather
- Leather is a natural product and any stress may result in tears. Additionally when stretched the leather might not completely return to its original shape. Therefore when leather is used more intensively it may become loose over time
- If cushions are sewn to the frame, any pulling or tugging might result in a tear. Please avoid any leaning, sitting or reaching over the back/arms of the sofa
- To keep your cushions looking fluffy and new, use seating evenly
- Leather is not resistant to animals. Allowing pets on your leather is not recommended. Their claws and jaws may scratch the covers, which can lead to expensive repair. Their saliva is acidic and may also harm the leather finish
- **DO NOT:**
- Dry clean or machine wash
- Expose leather to direct sunlight, intensive heat, weather or soak unnecessarily. Always avoid excessive hard rubbing
- Use saddle soap, detergents, solvents, abrasives, unidentified leather cleaners, suede cleaners or any products containing silicon or solvents
- Use silicone based leather care products. These can damage the coating over time. Any leather care product with an oily or greasy feel should be avoided
- Expose leather to new clothing, cushions or throws as this may lead to dye transfer and permanent staining. Ensure these items are colourfast before placing them on the leather